



SEMI AUTOMATIC

Rotoplat 708 HP

SEMI-AUTOMATIC TURNTABLE STRETCH WRAPPING MACHINE

*TECHNOLOGY AT THE SERVICE
OF THE USABILITY*



STANDARD ON THE MACHINE
With multi-level variable prestretch ensures the best film economy for every load. Guarantees the highest containment and best film economy from any stretch film. Adjustable pre-stretch up to 9 times on each load. Strategic film placement allows the film to be placed exactly where it has the most impact on load stability and containment.





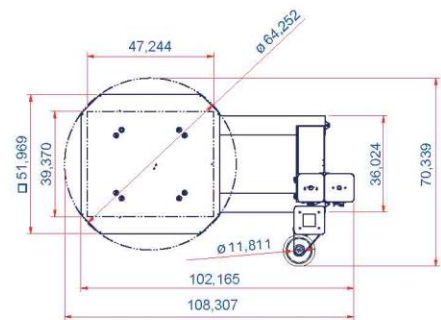
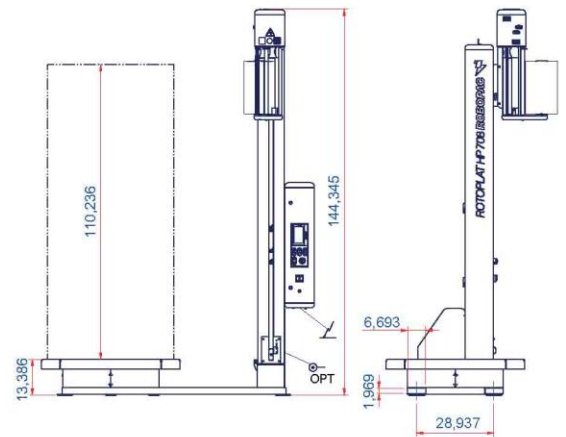
Rotoplat 708 HP

- ▶ EASY LOADING WITH FORKLIFT TRUCK
- ▶ IDEAL FOR BAGGED PRODUCTS WITH A HIGH PROFILE THAT ALLOWS PRODUCT TO FALL ONTO THE FLOOR INSTEAD OF UNDER THE ENCLOSED TURNTABLE
- ▶ COMPLETE PALLET WRAPPING THANKS TO THE HIGH-PROFILE TURNTABLE THAT ALLOWS THE CARRIAGE TO MOVE FURTHER DOWN
- ▶ HEAVY DUTY DESIGN THANKS THE 5,500 lb WEIGHT CAPACITY
- ▶ IDEAL FOR CONCRETE BLOCK AND BRICK INDUSTRY



TECHNICAL FEATURES

MACHINE	ROTOPLAT 708 HP	
PERFORMANCE		
Production speed	Up to 15/20	(LPH)
Turntable speed	5-12	(rpm)
Turntable drive	1 HP	(VAC)
LOAD HANDLING		
Turntable size	ø 65 plated steel	(in)
Maximum load weight	110	(in)
Minimum load weight	5.500	(lbs)
FILM DELIVERY SYSTEM		
Film delivery system	Power variable stretch	
Standard pre-stretch	Variable to 400% with up to 9 different levels per load	
Containment force	Variable electronic with up to 9 different levels per load	
Corner compensation	Load cell	
Roll carriage speed	Variable up and down	
Standard film width	20	(in)
Automatic film cut	Option	
Load Height Detection	Infrared photocell detects dark, clear and reflective products. Eliminates false reading on gaps in loads	
SAFETY FEATURES		
Roll carriage safety stop	STD	
CE compliant	Yes	
Anti-fall device	STD	
Lock-Out/Tag-Out Compliant	Yes	
ADDITIONAL FEATURES		
Top sheet wrap	STD	
Banding	STD	
Forklift portable	Front and rear	
SERVICE REQUIREMENTS		
Electric	110VAC/1ph/60Hz (+/-10%)	(VAC)
NEMA 12 enclosure	STD	
Warranty	5 years	



2750 Mercantile Drive, Suite 100
 Rancho Cordova, CA 95742
 Phone 916-852-6675 Fax 916-852-6676
www.westcoastsupplies.com