

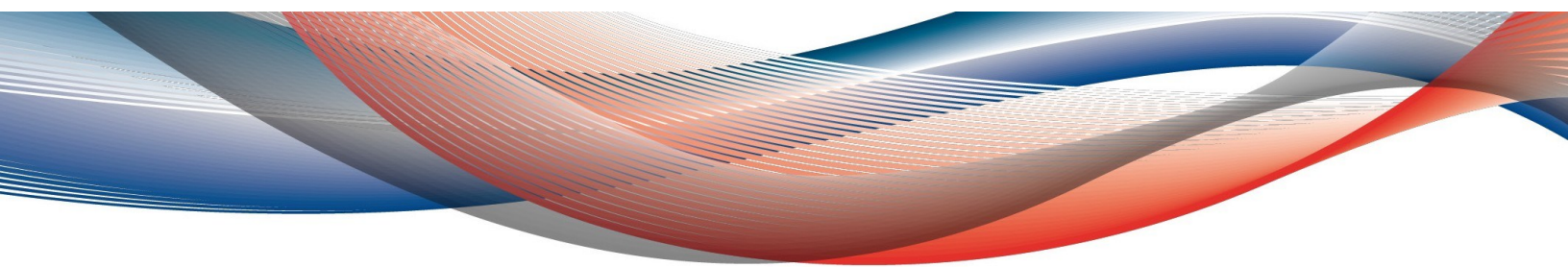


## LP ROTOPLAT

SEMI-AUTOMATIC STRETCH WRAPPER

The operator can easily access from every side and load the machine with hand pallet truck via ramp or using a forklift truck.

- Space Saving: Reduced height and base saves 60% space – from 3 in. (77mm) to 1.18 in. (30mm).
- Save space thanks to the reduced dimensions of the new ramps.
- Great reliability: New rotation transmission system without chain and patented bearing.
- Reduced height: Only 1.18 in. (30mm) prevents frequent accidental bumps with the forks of the forklift truck for easy loading.
- 2,600 lbs. max weight limit per load





## Performance features:



Deliver the exact right amount of film at the exactly the right position with exactly the right containment force.  
Reduces film costs 30-55%.  
Improves load containment.  
Reduces product damage by 40%.

### PVS Carriage

Powered stretch system controlled by two motors. Stretch ratio adjustable from panel board from 150-400%. Force to the load controlled by patented electronic device and adjustable from panel board.



**Rconnect** monitor and control performance with remote assistance.



### LP Rotoplat Specifications

#### Performance Criteria

##### Production Speed:

Up to 40 LPH

##### Turntable Speed:

5 – 12 RPM

##### Turntable Drive:

1 HP VAC

#### Load Handling System

##### Turntable Size:

65" Diameter

##### Maximum Load Height:

87" (up to 122" optional)

##### Maximum Load Weight:

2600 lbs.

#### Film Delivery System

- Friction Roller Drive (FRD)
- Fixed Gear Pre-Stretch (250%)
- Wrapping Force – Variable Electronic
- Standard Film Width – 20" (30" option)

#### Safety Features

- Roll Carriage Safety Stop
- CE Compliant; Anti-fall device

#### Hardware Voltage:

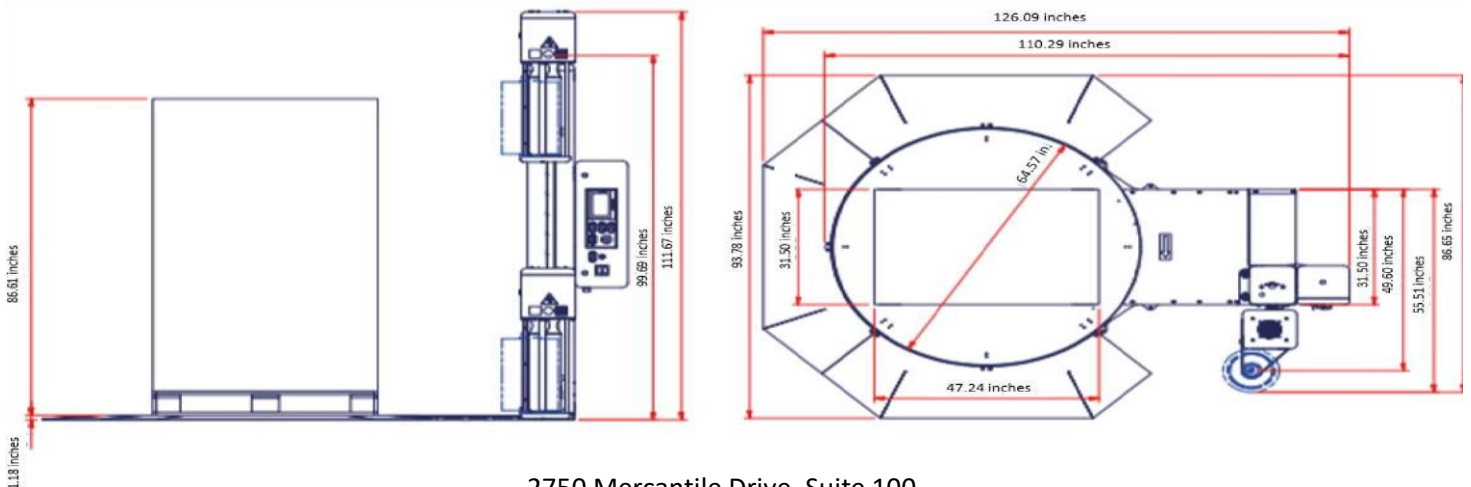
115V, 20 amps, 60 Hz, 1 PH

#### NEMA 12 Enclosure:

Standard

#### Warranty:

3 Years



2750 Mercantile Drive, Suite 100

Rancho Cordova, CA 95742

Phone 916-852-6675 Fax 916-852-6676

[www.westcoastsupplies.com](http://www.westcoastsupplies.com)